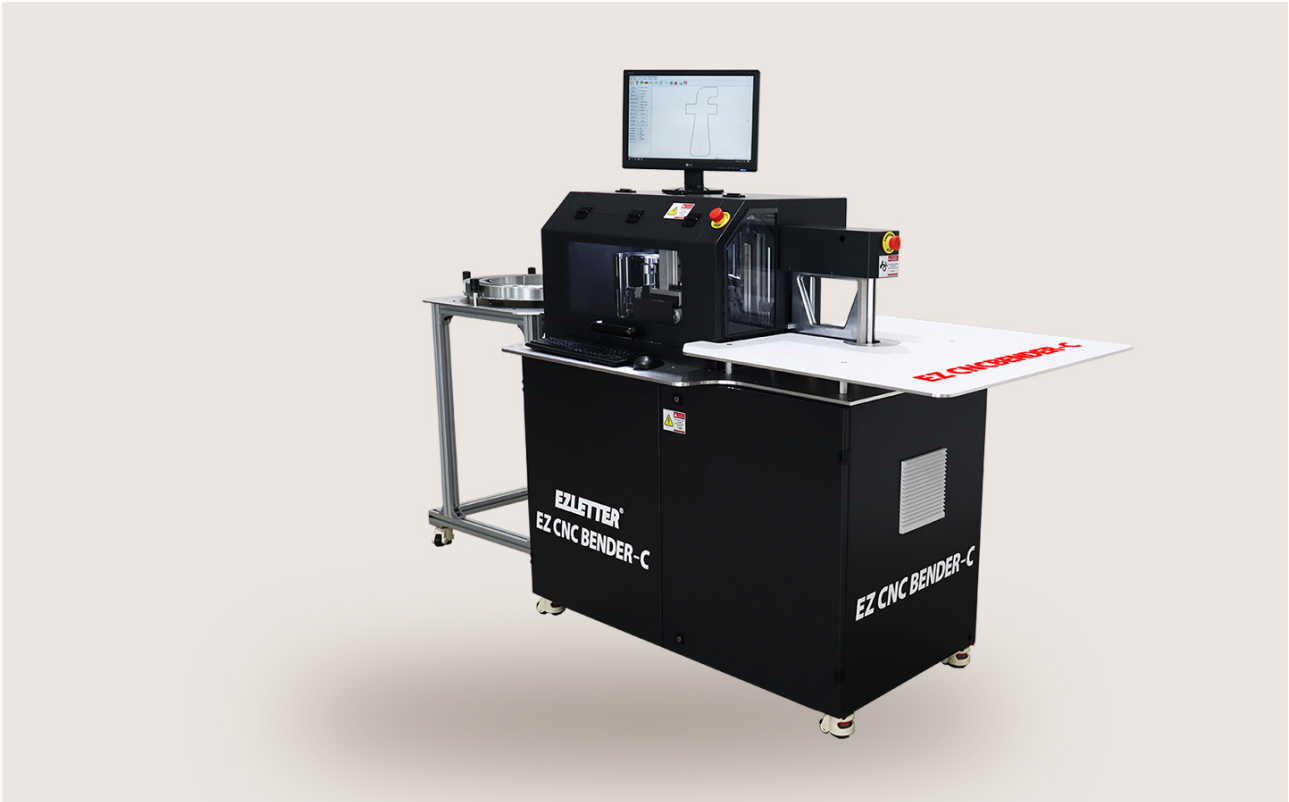


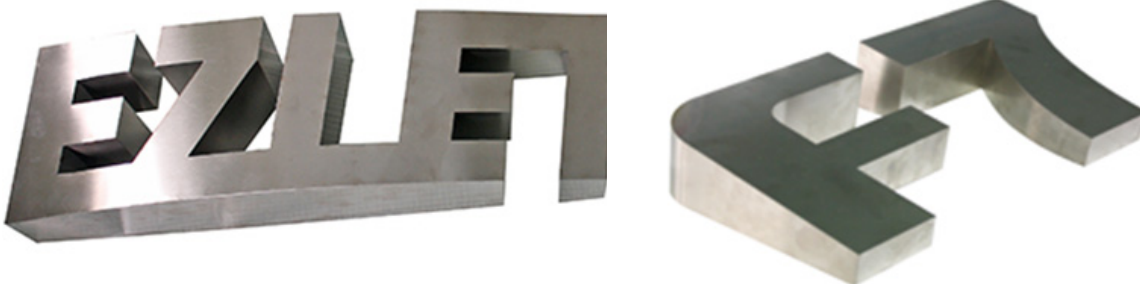


Machine Specification



Model: **EZLETTER BENDER-C**

Samples



Capacity

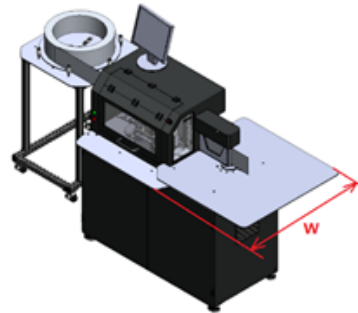
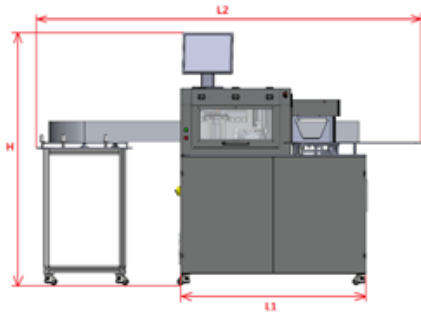
Max 150 mm high

Max Angle 120°

Max 1.0 mm thick

Min Circle R10

Diagram



L1 1,350 mm

L2 2,800 mm

W 1,024 mm

H 1,833 mm

Specifications

Model **EZLETTER BENDER-C**

Material Width 20 – 150 mm

Material Thickness Stainless / Galvanized Steel: 0.4 - 1.0 mm
Aluminum: 0.4 – 1.2 mm

Functions V-slot / Bend / Cut

Max Bending Angle 120°

Min Round Radius R10

Min semi-Circle R6

Dimension 2,800 x 1,024 x 1,833 mm (WxDxH)

Weight 600 kg

Requirements

File Type DXF

Air Pressure 87 psi (600 kPa)

Power 380V / 15A / 3-phase

Min Floor Area 3,800 x 1,500 mm

